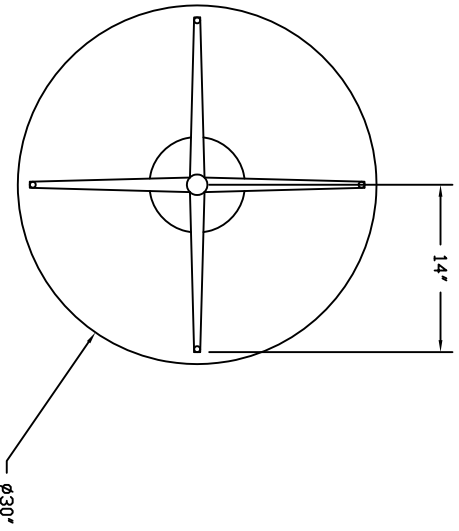


TABLE WITH EXTENSION INSERT ADDED



NOTE: THIS DRAWING IS PRIVILEGED INFORMATION AND IS THE PROPERTY OF CELINA TENT, INC. ANY USE AND OR REPRODUCTION OF THIS DRAWING WITHOUT THE EXPRESS WRITTEN CONSENT OF CELINA TENT, INC. IS STRICTLY PROHIBITED



5373 State Route 29, Celina, OH 45822

PH: 419-586-3610 FAX: 419-584-1275

**KNOCK DOWN PEDESTAL**

DATE: 12-12-07

DRAWN BY: L.K.

P/N: KDPT30R

REVISION # 0